



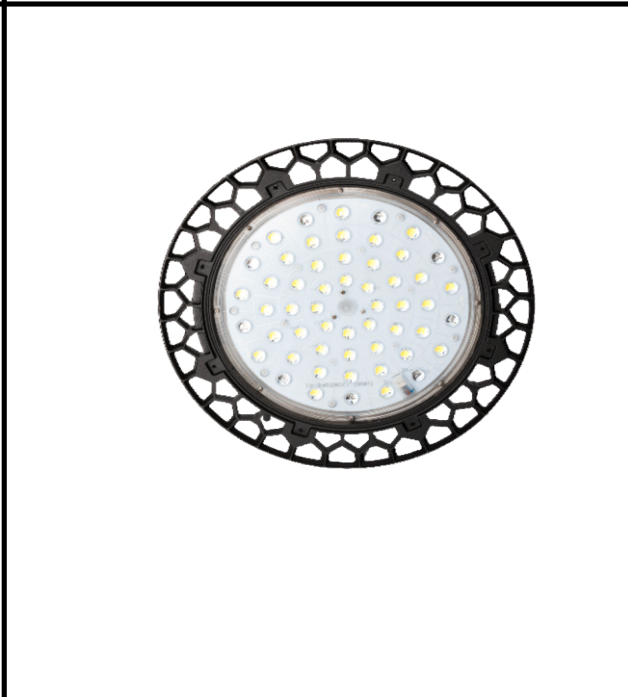
Sovitron Interior Pvt.Ltd.



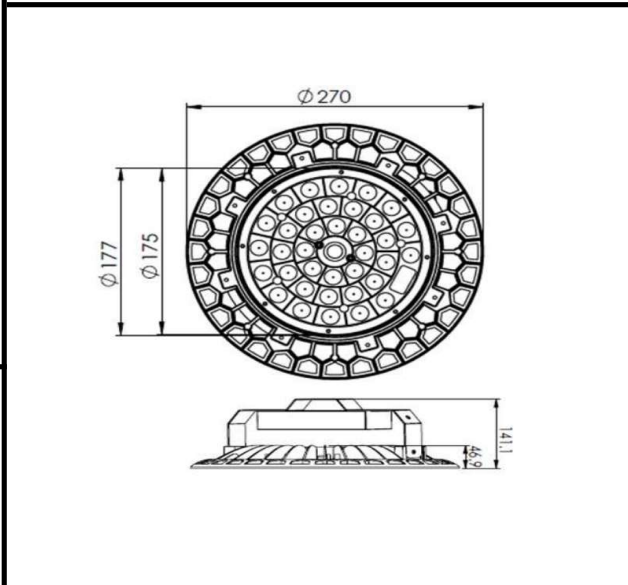
Model Name	BAY-UFO60 /DL-OBN-UFO60-80
Description	High Bay Light

Technical description	Image
-----------------------	-------

Dimension	Dia=270mm,H=141mm
Frame	AL1070 Aluminium alloy
Finish	Matt - Black
Color Tempertaure	3000K
Power	80W
Total Luminous Flux	11200 lm
Efficacy	140 lm/W
IP rating	65
Color Rendering	≥80
Mounting	Pendant
Optics	PC Bubble LENS
Dimming	NON-Dimmable
Operating Voltage	220-240 VAC
Standard Lifetime	L70 minimum at 50,000 burning hours



Dimension diagram



Remarks:-

Address: Plot #7 Saroorpur-Nangla Industrial Area,Ballabgarh-Sohna Road,Faridabad-121005
Email: info@sovitron.com